

# Padlock and Enclosure Locking Solutions



# dormakaba Padlock Range

dormakaba offers a range of padlocks to suit a wide variety of applications, providing high levels of physical security combined with market-leading key control procedures.

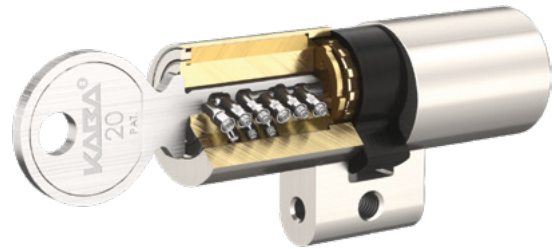
**Typical applications:**

- Roadside and railside cabinets
- Containers
- Telecommunications cabinets
- Inspection hatches and covers
- Portable buildings
- Vehicle doors
- Perimeter gates
- Switchgear control
- Plant and machinery lockout

# dormakaba Padlock Systems

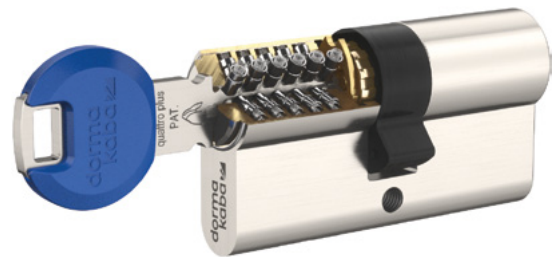
## Kaba 20

The engineering excellence of the kaba 20 cylinder is combined with the strong milled kaba key, which is easy to use as it can enter the cylinder either way. The controlled issue of duplicate keys affords high copy protection with copies only available direct from the dormakaba factory, thus giving our customers absolute confidence in the integrity of their locking system. The system complies to BS EN 1303 Grade 6, offering over 100 million key codes and extensive master keying.



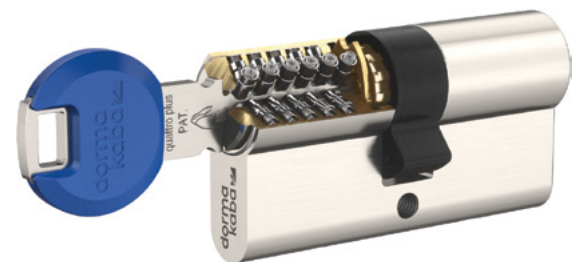
## quattro plus

This high performance patent protected cylinder is suitable for large master key systems. The dormakaba quattro plus guarantees optimum protection against vandalism with the system being tested to BS EN 1303 Grade 6 and will withstand manipulation, bumping and drilling. The key can only be reproduced with specialist key milling machines due to its special milled design within the controlled dormakaba factory environment.



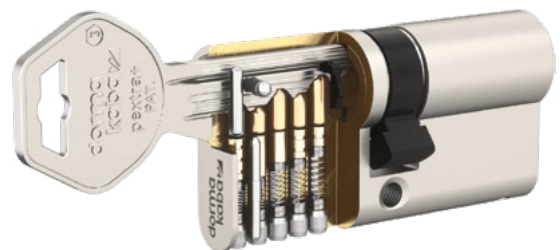
## expert

The dormakaba expert is a patented, highly secure reversible key locking system with Kitemark approval. Tested and approved by the BSI and MLA, it meets BS EN 1303 requirements for Key Related Security Grade 6. Duplicate keys may only be produced by authorised dormakaba dealers.



## pextra +

The security cylinder of pextra+ incorporates a number of additional features for enhanced security. The patented branch groove cannot be copied with common key milling and profiling machines for additional security. The optional blocking pin recognises if an illegally made duplicate key has been inserted into the cylinder. This cylinder is EN 1303 tested and approved by BSI and MLA and is Kitemark approved.



## CEN 6 Padlock P8093



LPS 1654: Issue 1

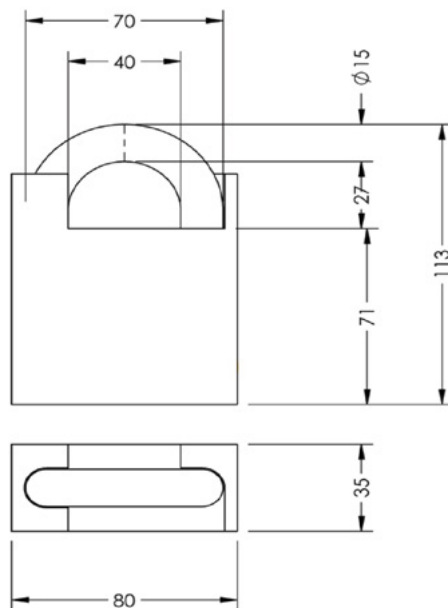
Certificate Number: 1452a

### P8093

- 80mm hardened steel padlock and shackle
- Electroless nickel plated
- 15mm diameter closed shackle
- Available with 27mm vertical clearance shackle
- EN 12320 Grade 6 (CEN 6) – highest grade possible
- Cylinder is protected by an 11mm thick hardened plate
- Double locking hardened stainless steel ball bearing
- Uses a standard 30mm euro profile single cylinder
- LPCB approved (LPS 1654: Issue 1 SR3) with Key Systems expert (plus) and quattro plus.

#### Available systems

- Kaba 20
- quattro plus
- expert
- pextra+



# CEN 6 Padlock (with Security Hasp)

P8093SH



## P8093SH

- 80mm hardened steel padlock and shackle
- Electroless nickel plated
- 15mm diameter closed shackle
- Available with 27mm vertical clearance shackle
- EN 12320 Grade 6 (CEN 6) – highest grade possible
- Cylinder is protected by an 11mm thick hardened plate
- Double locking hardened stainless steel ball bearing
- Uses euro profile single cylinder
- LPCB approved (LPS 1654: Issue 1 SR3) with Key Systems expert (plus) and quattro plus.

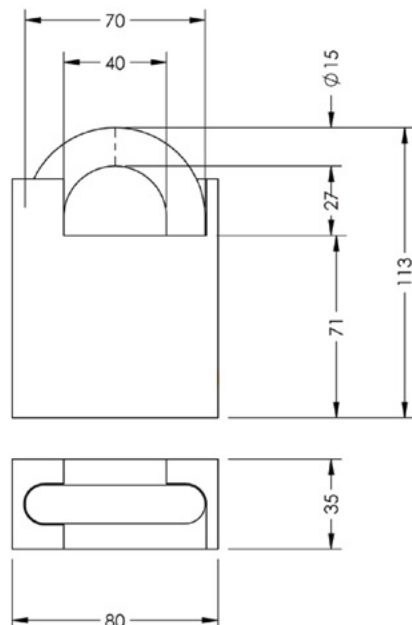
### Available systems

- quattro plus
- expert & expert plus
- pextra+ & pextra
- Kaba 20

## Accessories

### Hasp Features:

- Approved to EN 12320, Grade 4
- Hardened powder coated steel (Black)
- Plate thickness 6mm
- Dimension: 130 x 70mm
- Handed RH or LH (RH = door hinged on the right when opened, LH = door hinged on the left when opened)



# CEN 5 Padlock P8065



LPS 1654: Issue 1

Certificate Number: 1452a

## P8065

- 80mm hardened steel padlock and shackle
- Electroless nickel plated
- 15mm diameter open shackle
- Available with 27mm & 50mm clearance
- EN 12320 Grade 5 (CEN 5)
- Cylinder is protected by a 5mm thick hardened plate
- Double locking hardened stainless steel ball bearing
- Uses a Swedish oval cylinder
- LPCB approved (LPS1654: Issue 1 SR3) with key systems expert (plus) and quattro plus and Kaba 20.

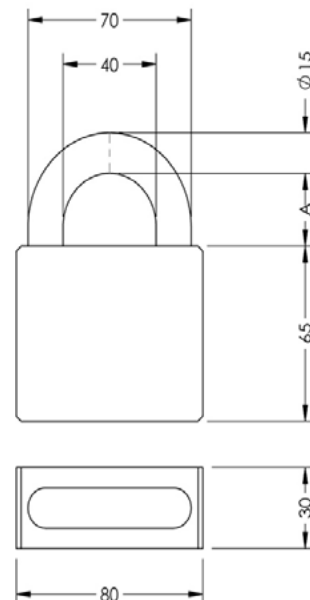
### Available systems

- Kaba 20
- quattro plus
- expert & expert plus
- pextra & pextra+

## Accessories

### Padlock retention chain

- Helps ensure padlock is not mislaid or lost from installation when unlocked
- Length 500mm. Link diameter 5mm
- Not to be used as part of the security installation
- Supplied with built padlocks or as separate item



A= 27 or 50mm

## CEN 4 Padlock

P6062



## P4661

- 60mm hardened steel padlock and shackle
- Electroless nickel plated
- 11mm diameter open shackle
- Shackles available with 28mm & 50mm clearance
- EN 12320 Grade 4 (CEN4)
- Double locking hardened stainless steel ball bearing
- Uses a Swedish oval cylinder
- LPCB approved (IPS: Issue 1 SR2) with key systems pextra+, expert plus, quattro plus and Kaba 20

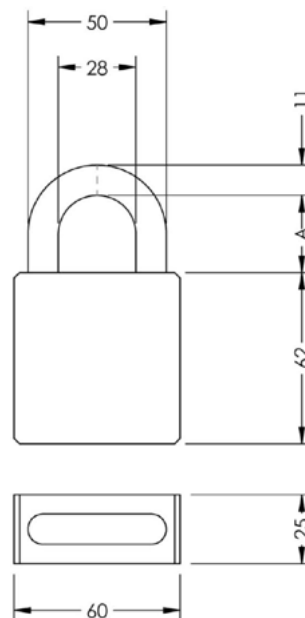
### Available systems

- Kaba 20
- quattro plus
- expert & expert plus
- pextra & pextra+

## Accessories

### Padlock retention chain

- Helps ensure padlock is not mislaid or lost from installation when unlocked
- Length 500mm. Link diameter 5mm
- Not to be used as part of the security installation
- Supplied with built padlocks or as separate item



A= 28 or 50mm

## Enclosure Locking - Enclosure Guard

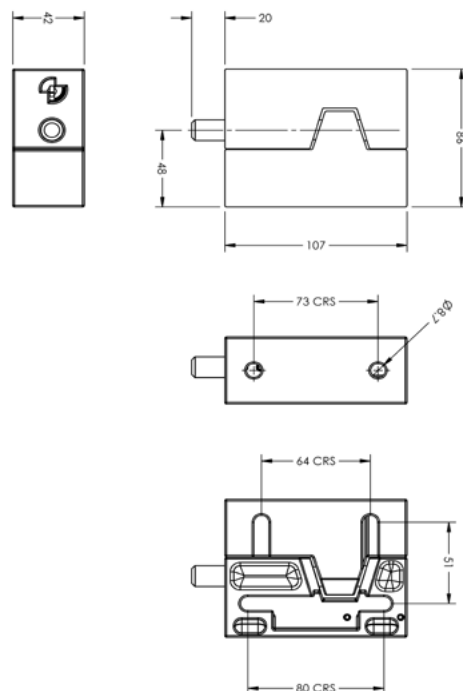


### Enclosure Guard

- High quality guard for high security applications including remote sites within the utility and infrastructure sectors
- Security and access control for enclosures, including telecommunication cabinets, roadside cabinets and enclosures, general infrastructure enclosures, site storage containers, security doors, mesh cages, security kiosks, rail location cases and cabinets
- 98mm solid stainless steel body
- 13mm stainless steel locking bolt
- Key retained when unlocked, ensures device is not left open

#### Available systems

- Kaba 20
- quattro plus
- expert & expert plus





# CEN rating BSEN

## 12320

- Grade 6 Maximum Security
- Grade 5 Extra High Security
- Grade 4 High Security
- Grade 3 Medium / High Security
- Grade 2 Standard Security
- Grade 1 Low Security

Requirement	Grades						Unit
	1	2	3	4	5	6	
Minimum number of effective key differs	300	1000	2500	5000	10000	20000	
Non-interpassing of keys with just one interval differ	1	1.5	1.5	1.5	1.5	1.5	NH
Resistance to force on locking mechanism			4	5	10	15	kN
Resistance to torque on locking mechanism		2.5	5	15	20	30	Nm
Resistance to pulling of shackle and staple	3	5	15	30	70	100	kN
Resistance to twisting of shackle and staple	40	100	200	450	1200	2500	Nm
Resistance to cutting of shackle and staple	6	15	25	35	70	100	kN
Resistance to impact on padlock body			-20	-20	-40	-40	°C
Shackle and staple at low temperature			1250	3050	6550	7150	g
			800	1000	1400	1500	mm
Resistance to drilling of padlock body, shackle & staple				2	4	8	min
Resistance to sawing of padlock body, shackle & staple				2	4	8	min

## CEN 3 Padlock P4661

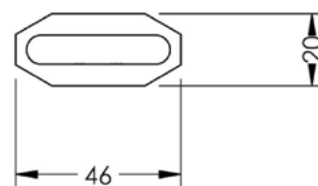
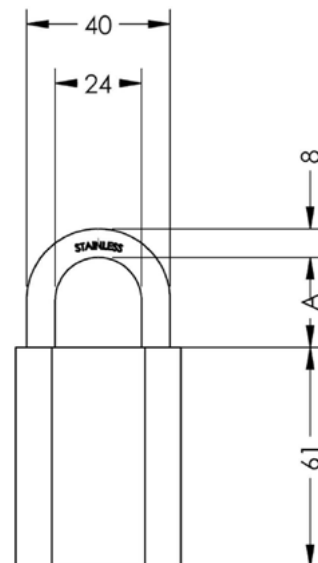


## P8065

- 46mm brass bodied padlock with stainless steel shackle
- Electroless nickel plated
- 8mm diameter open shackle
- Supplied spring loaded & snap locking as standard
- Key locking is also available
- Shackles available with 25mm, 60mm & 110mm clearance
- EN 12320 Grade: 3 (CEN 3)
- Double locking hardened stainless steel ball bearing
- Uses a snowman cylinder

### Available systems

- quattro plus
- expert & expert plus
- pextra & pextra+



## Accessories

### Padlock retention chain

- Helps ensure padlock is not mislaid or lost from installation when unlocked
- Length 500mm. Link diameter 5mm
- Not to be used as part of the security installation
- Supplied with built padlocks or as separate item



A= 25, 60 or 110mm

## Padlock 2001 & 2010

High quality padlocks for medium/light duty



### 2001

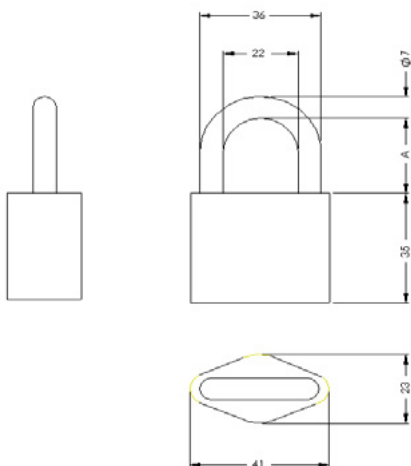
- 41mm brass bodied padlock
- Nickel plated
- 7mm diameter open shackle
- Shackles available in stainless or hardened steel
- Shackles available with 24mm, 40mm, 70mm & 100mm clearance (70mm & 100mm in stainless steel only)
- 6mm diameter stainless steel shackle available upon request

### 2010

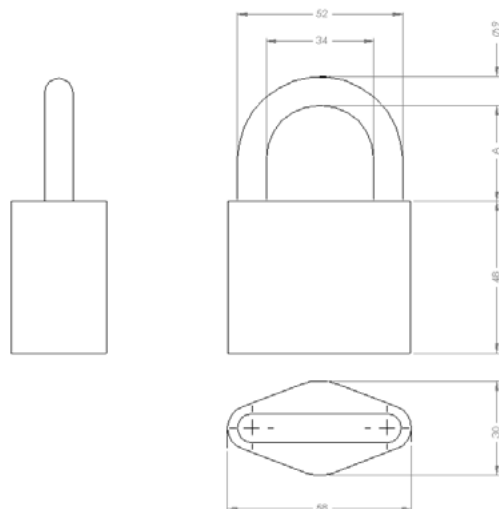
- 58mm brass bodied padlock
- Nickel plated
- 9mm diameter open shackle
- Shackles available in stainless or hardened steel
- Shackles available with 30mm or 50mm clearance

#### Available systems

- Kaba 20
- quattro plus
- expert & expert plus



A= 24/ 40/ 70 or 100mm



A= 30 or 50mm

## Retention chain ordering



### Padlock retention chain

- Helps ensure padlock is not mislaid or lost from installation when unlocked
- Length 500mm. Link diameter 5mm
- Not to be used as part of the security installation
- Supplied with built padlocks or as separate item

Part number	Description
23005961	Single Tube Chain P4661 Dia Link 5mm x L500mm
23005962	Single Tube Chain P6062 Dia Link 5mm x L500mm
23005963	Single Tube Chain P8065 Dia Link 5mm x L500mm
23005964	Double Tube Chain P4661 Dia Link 5mm x L500mm
23005965	Double Tube Chain P6062 Dia Link 5mm x L500mm
23005966	Double Tube Chain P8065 Dia Link 5mm x L500mm

# dormakaba Cleaner



Item Reference: 8040 200

200ml aerosol

Price RRP £3.85

Item Reference: 8040 060

60ml pump spray

Price RRP £3.15

Due to higher environmental regulations for lubrication and cleaning agents, dormakaba took the opportunity to improve the formula for the dormakaba cleaner. The new improved formula has replaced the existing dormakaba cleaner and will replace GEGE spray when stocks are fully depleted. The new spray has the following features:

- Decades of practical experience
- Physical characteristics laboratory tested
- Low viscosity point, can be used at low temperatures
- Long lasting lubrication film, no thickening of the cleaner.
- Extraordinary corrosion resistance for steel, nickel silver and brass
- Suitable for all dormakaba products, as well for mechatronic products.
- Silicon-free
- Barium-free
- Two sizes available 60/200ml
- 60ml cans are pump spray (no gas aerosol)
- The packaging of the 60ml can be used as a counter display.
- The maintenance of dormakaba cylinders are very simple in normal use cylinders should be sprayed every 6 to 12 months.

dormakaba Cleaner is a white spirit based product that will flush out any dirt and grit from the cylinder, but most importantly it does not contain any form of solids which can stick to the components within the cylinder and attract dust, fluff and dirt, which over a period of time may cause failure of the cylinder due to clogging.

**Please never use oil, graphite or other products such as WD-40 and any other cleaning spray or agent containing oily substances. dormakaba spray is environmentally-safe, a grease-free lubrication and cleaning agent for metal care, with a natural gas mix of dormakaba propane/butane, with no ozone harming effects.**

## COSHH Details upon Request

Should you have any questions please do not hesitate to contact our support office on 0870 000 5625.

---

**Any questions? We would be happy to assist you and look forward to hearing from you.**

**dormakaba UK & Ireland** | Lower Moor Way | Tiverton | Devon | T +44 (0)870 000 5625 | [info.gb@dormakaba.com](mailto:info.gb@dormakaba.com) | [www.dormakaba.co.uk](http://www.dormakaba.co.uk)